

# VACUUM- HANDLING SYSTEMS





**Ivan Muri, CEO** As a Swiss manufacturer with fully automated production, we are loyal to the location Switzerland. The high functionality, long life and robustness of our products help our customers to avoid operational interruptions, which can cause high follow-on costs. With our own development and construction department, we ensure long-term innovation power. Suppliers from Switzerland and its neighbour countries guarantee the reliability and quality we demand.

**Erich Widmer, Sales and Marketing Manager** From project planning to installation, we support our customers with advice and assistance. As a system supplier of complete crane systems, we can respond to specific customer demands. Our customers particularly value the variety of accessories and options. Our high product quality and readiness to deliver make us a reliable and competent partner worldwide.



# VACUUM- HANDLING SYSTEMS



GIS vacuum lifters guarantee the gentle handling of goods of different materials like wood, glass, stone, metal or plastic. Flat, convex and concave shapes with smooth or porous surfaces can be safely, effortlessly and gently transported with the appropriate vacuum lifter.

---

Efficient and gentle goods handling

---



# USAGE



Irregularly shaped, heavy or porous goods? Wood, metal, food, glass or general industry? What previously took many hands can easily be done by one person today. The optimum vacuum handling system, tailored to the particular transport goods, brings lasting productivity benefits and helps to cut costs. Safe, convenient and ergonomic.

## GLAS TRÖSCH

Urs Bühler, Ursenbach, Switzerland

«Previously, two to four people had to transport the heavy and unwieldy glass panes for trains. Today, with the flexible vacuum handling system, one person can complete the same procedure much more simply and quickly. We particularly value the numerous ways of adjusting the four suction arms with 32 suction surfaces and the frequency inverter for lifting and travelling movements with precise positioning. We are very satisfied with this tailor-made solution from GIS.»





Every application in every branch has to be assessed individually. Porous wooden panels or heavy boards in wood-working, large dimensioned sheets in the metal industry, convex or concave glass panes in vehicle construction, cardboard boxes in logistics or just sacks or barrels – For nearly all transporting of goods we find the optimum handling solution. We build on 45 years of experience in the manufacture of vacuum handling systems.



# PRODUCT RANGE



From standard products for sacks, cardboard boxes or panels, to customer-specific versions, we offer a wide range of vacuum lifting solutions. Small transport loads with frequent handling or heavy, unwieldy transport goods with unusual handling – every vacuum system is tailored to its use and assures gentle material handling.

## **GH/GHK**

Load up to 1000 kg  
Larger loads on request

- Optionally with tilting
- For airtight goods: metal, plastic, glass, stone...
- Central operating unit for complete crane system. With mounting for customer's existing control switch/remote controller on request
- Weight-saving construction with low installation height
- Suction surfaces, traverses and operation can be tailored to customer needs
- Versions also as glass lifting, turning or shelf storage operation units available
- Diverse options and accessories are available as standard
- Fully complies with the European Norm EN 13155 (Warning system, two-handed operation, vacuum tank, non-return valve)

### Airtight transport goods

**Glass, metal, plastic, stone**

Loads	Compressed air	Tilting function	Type
30 kg	no	no	GVH 160 / 2.2
60 kg	no	no	GVH 160 / 3.0
100 kg	no	no	GVH 200 / 3.0
320 kg	no	no	GH or GHG
320 kg		yes	GHK
320 kg	yes	no	GHGE
500 kg	no	no	GH
500 kg		yes	GHK
1000 kg	no	no	GH
> 1000 kg on request			

### Permeable transport goods

**Wood, fibreboard, plastic, concrete**

Loads	Compressed Air	Tilting function	Type
30 kg	no	no	GVH 160 / 2.2
60 kg	no	no	GVH 160 / 3.0
100 kg	no	no	GVH 200 / 3.0
500 kg	no	no	GN
500 kg	no	yes	GNK
> 500 kg on request			





## GHG / GHGE

Load up to 320 kg  
Larger loads on request

For glass and other airtight goods

Central operating unit for the complete cranesystem. With mounting for customer's existing control switch/remote controller on request

Small and light devices with low purchase costs

Vacuum production with compressed air (no electrical cables necessary)

Suction surfaces, traverses and operation can be tailored to customer needs. Various options and accessories are available as standard

Fully complies with the European Norm EN 13155 (Vacuum tank, non-return valve)



## GN / GNK

Load up to 500 kg  
Larger loads on request

For slightly permeable goods: wooden panels and boards, concrete slabs, cardboard, textiles, cheeses

Central operating unit for complete crane-system. With mounting for customer's existing control switch/remote controller on request.

Suction surfaces, traverses and operation can be tailored to customer needs

Versions for turning units and shelf storage operation units available

Diverse options and accessories are available as standard

Fully complies with the European Norm EN 13155 (flywheel mass, warning system, two-handed operation)



## GVH

Load up to 100 kg  
Larger loads on request

For lifting sacks, cartons, boxes, barrels, buckets, cases, apparatus and boards

The vacuum in the hose holds and lifts the load

Effortless lifting and lowering with valve control

Lifting unit continuously turnable

Suction surfaces, traverses and operation can be tailored to customer needs. Various options and accessories are available as standard: Fast change system, manual tilt adapter, noise-reducing cover etc.

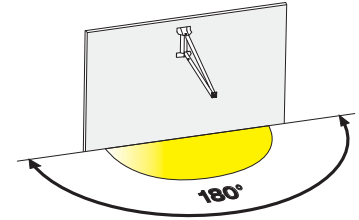
Maximum smooth running with crane system made of aluminium profile

# YOUR BENEFITS

The vacuum production and all lifting and travelling movements are controlled with the central operating unit. The devices are robust, durable and need little maintenance. They can be operated longitudinal or crossways, depending on the transport goods. GIS vacuum lifters are equipped with an optical warning device as standard.



# COMPLETE SOLUTIONS



We offer GIS vacuum handling systems as total solutions including electric chain hoist, crane system or slewing crane. The GIS suspended and slewing cranes are robust, simple to install and designed following the latest EG machine guidelines according to DIN 15018.

## Slewing wall crane

The simple and cost-effective solution

---

Aluminium or steel profiles

---

Straightforward installation on walls or existing pillars

---

Needs no floor space

---

Slewing range up to 180°

---

Jib length up to 6.5 m, longer jib on request

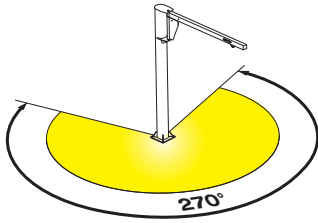
---

## YOUR BENEFITS

For optimum work place design, the crane system has to be tailored to the vacuum device and the operational space available. For smaller loads up to 250 kg, an overhead or slewing crane made of aluminium profiles is suitable due to its smooth running. For loads over 250 kg, we recommend the more cost-effective solution with steel profiles.







### Slewing pillar crane

The slewing crane with extended slewing range

---

Aluminium or steel profiles

---

Slewing range up to 270°

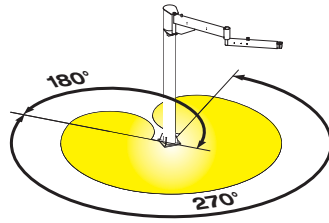
---

Jib length up to 6 m, longer jib on request

---

Straightforward installation

---



### Articulated slewing crane

The slewing crane with the maximum slewing range

---

Steel profiles

---

Versions as slewing pillar or wall crane

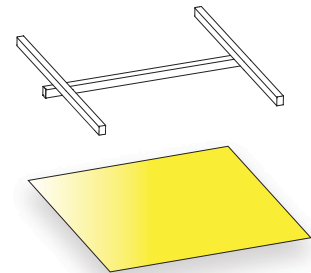
---

Slewing range 270° (inner) and 330° (outer)

---

Jib length up to 2.6 m, longer jib on request

---



### Suspended crane

The small crane from our modular construction kit

---

Aluminium or steel profiles

---

All-round goods handling

---

As a double bridge suspended crane for larger spans and lower room heights

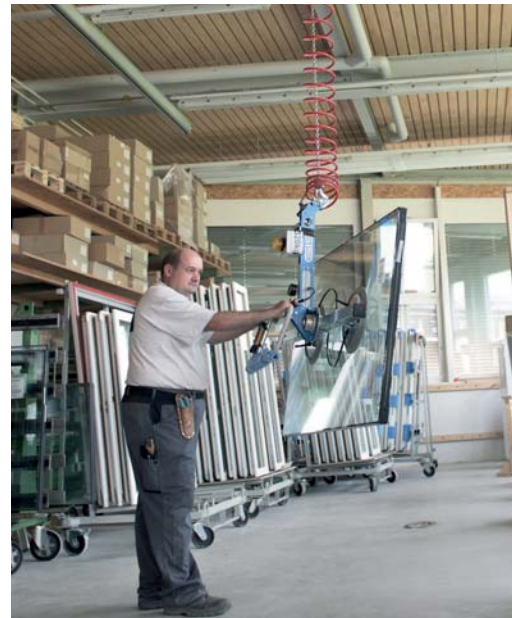
---

Several crane bridges per crane system are possible

---

«free-standing» system available

---



# SPECIALS & ACCESSORIES



A variety of special versions and a large range of accessories ensure practical solutions for every application. Whether the transport goods have to be tilted or turned, we support you with the customer-specific vacuum handling system.



## YOUR BENEFITS

Size, number and positioning of the suction surfaces are adjusted to the goods to be handled. The objective is to offer the user the simplest and most ergonomic solution possible. Our technicians design the vacuum system together with the appropriate GIS crane system, tailored to your operational circumstances. Whether frequency inverters for the precise positioning of the load, or suction surfaces specially tailored to the transport goods – you can build on our experience.



### 180° turning device

For turning over boards or doors

---

Load up to 250 kg or more

---

Suction surfaces 180° stepless turnable

---

Board width up to approx. 1.8 m

### Vacuhandling

For fast and simple handling of small loads

---

Load up to approx. 30 kg

---

Ergonomic one-handed operation

---

Simple adjustment of the suspension height

---

Stepless lifting speed

---

Suction surfaces, traverses and operation can be tailored to customer needs

---

Options: Quick change system, noise-reducing cover etc.

---

Maximum smooth running with crane system made of aluminium profile

### Shelf storage operation unit

For efficient storage and retrieval of boards and pallets

---

Loading of 500 kg or more

---

Vacuum lifter or lifting fork

---

Optimum use of room height

---

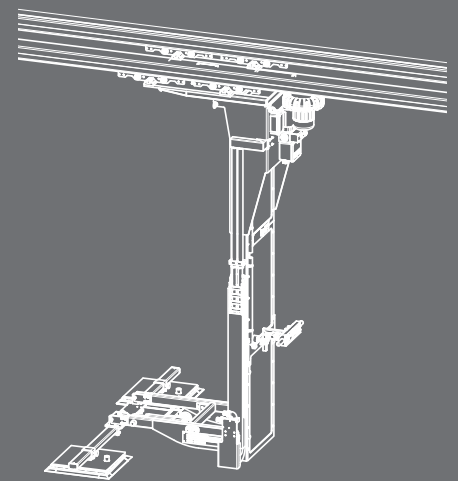
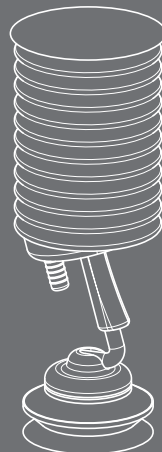
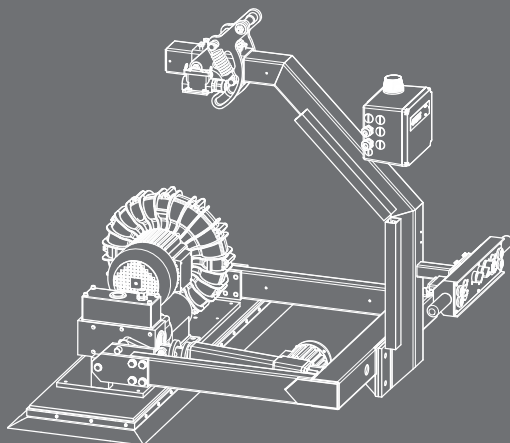
Lifting guide up to 360° slewable

---

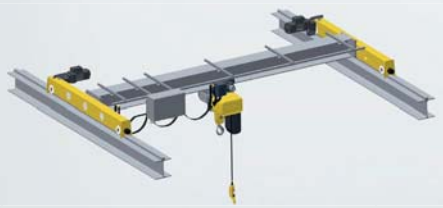
Tilting device available

---

Electrically/manually movable







## Crane systems

GISKB steel crane construction kit for line-bound or all-round goods handling. GISKB aluminium crane system, slewing pillar and wall cranes for smooth handling of transport goods. Travelling cranes and slewing cranes made of steel profiles for heavier loads.

## Hoisting equipment

Over 50 years experience in the manufacture of electric chain hoists: robust, durable, reliable and highly resistant to wear. Simple maintenance. Various special versions for every application area. Wide range of accessories and options.

## Vacuum handling systems

GIS vacuum handling systems for the ergonomic and gentle handling of goods made of different materials like wood, glass, stone, metal or plastic. In combination with the appropriate crane system.

**GIS AG – the specialist for crane systems** Founding of the GIS AG in 1957 | With own subsidiary in Germany since 1966 | Development and production of electric chain hoists in Switzerland for over 50 years | Swiss manufacturer of complete crane systems inc. hoisting equipment and vacuum lifters | Certified to ISO 9001 since 1994 | Complete market services from project planning to installation, start-up and maintenance | International sales network with over 50 qualified partners worldwide

Swiss Lifting Solutions  
Certified to ISO 9001