

## Brake winch BHW

The moderately priced BHW winch is a technical solution to lift and pull loads up to 1.2 tons. The winch has to be fixed with a foot plate by bolts on a solid pedestal. Then the crank can be turned freely in both directions.

**Winches in stainless steel upon request.**

### Features:

- Zinc plated or yellow stove-enamelling protection (optional)
- Dismountable hand crank
- Automatic load-pressure brake
- Gear and brake in closed housing
- Double ratchet dog system
- Rope easy to assemble



BHW-1200



BHW-1800



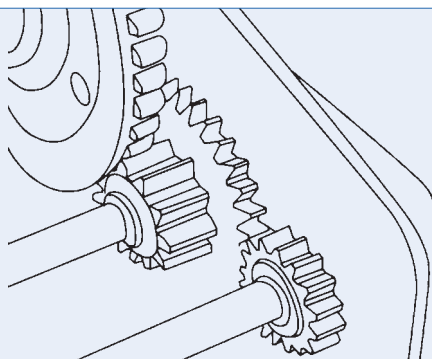
BHW-2600



BHW-1200 complete with rope and hook, ready to use.

TYPE		BHW-1200	BHW-1800	BHW-2600
Max. pulling force bottom (1st) cable layer	daN	550	820	1.200
Max. pulling force top (9th) cable layer	daN	200	300	475
Drum diameter	mm	47.8	57.7	75.7
Gearing ratio		4.2:1	5:1	10:1
Lift per crank handle rotation	mm	35	35	25
Lever force	daN	15	22	19
Rope diameter (Construction 2160 N/mm <sup>2</sup> )	mm	5	7	8
Standard rope length	m	20	20	20
Plate size L x B	mm	140 x 88	194 x 107	240 x 127
Lochabstand L x B / Ø	mm	95 x 40 / 10	135 x 70 / 10	162 x 77 / 10
A (Dimensions)	mm	156	203	216
B	mm	184	256	293
C	mm	88	107	127
D	mm	210	319	319
E	mm	27	27	27
F	mm	272	283	305
G	mm	51	60	63
H	mm	109	109	109
Weight without rope	kg	3.7	7.7	10.1
BHW... (without rope) zinc galvanized	<b>Order No.</b>	<b>H30024</b>	<b>H30026</b>	<b>H30028</b>
BHW... complete with rope and hook *	<b>Order No.</b>	<b>H30041</b>	<b>H30042</b>	<b>H30043</b>

\* Standard rope length



All gear parts are galvanized, very durable and corrosion resistant in normal weather conditions.

